



Model Number: _____
Número del modelo
Numéro de modèle

Date of Purchase: _____
Fecha de compra
Date d'achat

Register Online
Regístrese en línea
S'enregistrer en ligne
www.brizo.com/customer-support/product-registration

To reference replacement parts and access additional technical documents and product info, visit www.brizo.com

Para referencia sobre las piezas de repuesto y acceder a documentos técnicos adicionales e información del producto, visite www.brizo.com

Pour obtenir la référence des pièces de rechange ainsi que pour avoir accès à d'autres documents techniques et renseignements sur le produit, allez à www.brizo.com



1-800-355-6478
www.brizo.com/customer-support/contact-us

Read all instructions prior to installation.

⚠ CAUTION

Failure to read these instructions prior to installation may result in personal injury, property damage, or product failure. Manufacturer assumes no responsibility for product failure due to improper installation.

Lea todas las instrucciones antes de hacer la instalación.

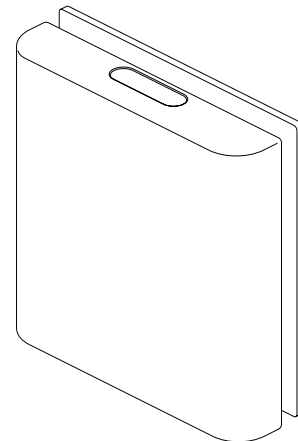
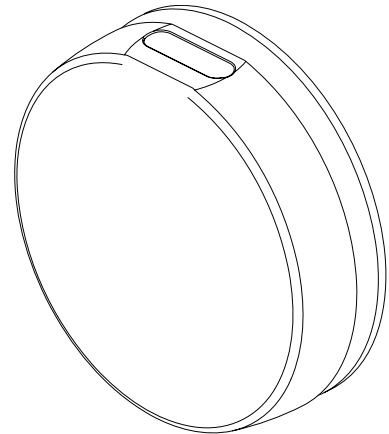
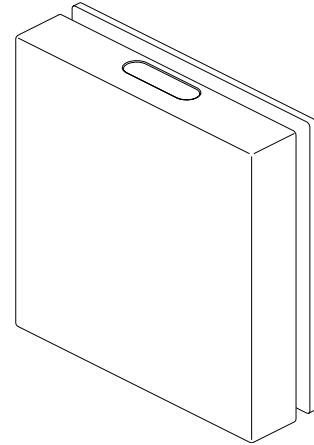
⚠ ADVERTENCIA

El no leer estas instrucciones de instalación puede resultar en lesiones personales, daños a la propiedad, o falla en el funcionamiento del producto. El fabricante no asume ninguna responsabilidad por la falla del producto debido a una instalación incorrecta.

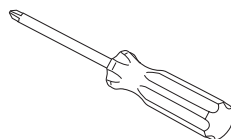
Veillez lire toutes les instructions avant l'installation.

⚠ AVERTISSEMENT

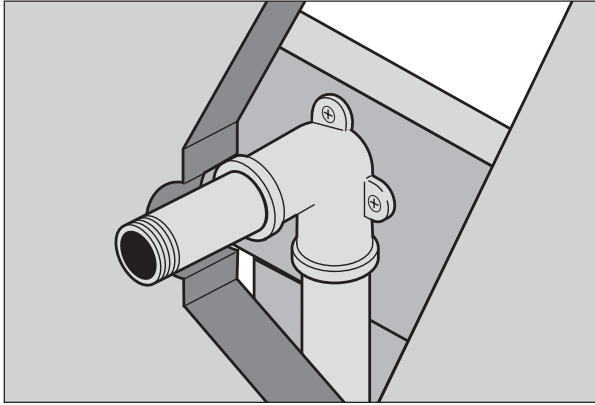
L'omission de lire les présentes instructions avant l'installation peut entraîner des blessures, des dommages matériels ou le bris du produit. Le fabricant se dégage de toute responsabilité à l'égard d'un bris du produit causé par une mauvaise installation.



You may need:
Usted puede necesitar:
Articles dont vous pouvez avoir besoin :



1 Rough In Steam Line (not supplied) Línea de vapor dentro de las paredes (no incluida) Tuyauterie de vapeur (non fournie)



Prior to steam head installation, Install rough plumbing line to desired location. The steam head must be installed to a 3/4" NPT copper or brass pipe; do NOT use black iron or galvanized pipe, it will rust and discolor the steam bath wall. Do NOT use plastic supply pipes or fittings.

NOTE: Supply elbow and steam supply pipe MUST BE SECURELY ANCHORED to ridged blocking.

The steam head location should be 12" to 18" above the shower floor or 6" above the rim of the bathtub, as far from the seating area as possible.

Antes de la instalación del cabezal de vapor, instale la línea de plomería en bruto en la ubicación deseada. El cabezal de vapor debe estar instalado en un 3/4" NPT; NO use hierro negro o tubería galvanizada, se oxidará y decolorará la pared del baño de vapor. NO use tuberías o accesorios de suministro plásticos.

NOTA: El codo de suministro y la tubería de suministro de vapor DEBEN ESTAR FIRMEMENTE ANCLADOS al bloque estriado.

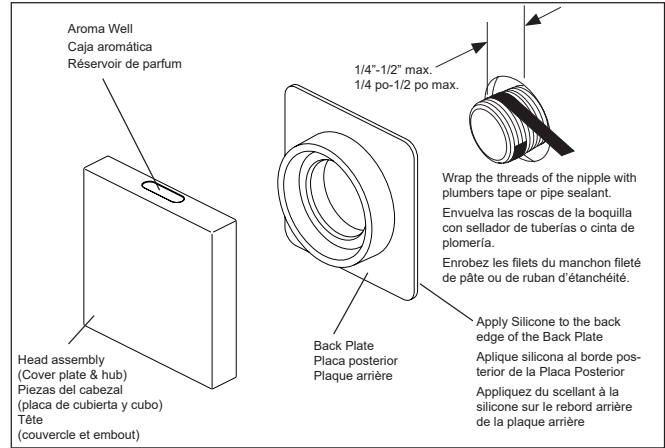
La ubicación del cabezal de vapor debe estar entre 12" y 18" por encima del piso de la regadera o 6" por encima del borde de la bañera, lo más lejos posible del área para sentarse.

Avant l'installation de la tête de vapeur, installez une ligne de plomberie rugueuse à l'endroit souhaité. La tête de vapeur doit être installée sur un 3/4 po NPT. N'UTILISEZ PAS un tuyau de fer ni un tuyau galvanisé. La rouille qui se formera dans ce tuyau tachera le mur du bain de vapeur. N'UTILISEZ PAS des tuyaux d'alimentation et des raccords en plastique.

NOTE : Le coude et le tuyau d'alimentation en vapeur DOIVENT ÊTRE FIXÉS SOLIDEMENT à l'entretoise.

La tête de vapeur doit se situer à une hauteur de 12 po à 18 po au-dessus du plancher de la douche ou à 6 po au-dessus du rebord de la baignoire et aussi loin de la place assise de l'utilisateur que possible.

2 Steam Head Installation Instalación del cabezal de vapor Installation de la tête de vapeur



1. Make sure the 3/4" nipple protrudes beyond the tile 1/4" to 1/2" (6-12 mm).
2. Keep opening in finished wall close as possible to pipe nipple with no more than 1/2" gap.

IMPORTANT: If the nipple protrudes beyond 1/2" the O-ring will not make a proper seal and the nipple will have to be adjusted.

3. Wrap the threads of the nipple with plumber's tape or use pipe sealant.
4. Make sure the steam head will line up in the upright position when tightened. The steam head should only be firmly hand tight. Using a wrench on the head may damage it. Screw the steam head on to the nipple and see how it lines up. Once a proper alignment is made remove the steam head.

1. Asegúrese de que la enterrosca de 3/4" sobresalga más allá de la baldosa de 1/4" a 1/2" (6-12 mm).
2. Mantenga la abertura en la pared acabada lo más cerca posible a la enterrosca de la tubería sin no más de 1/2" espacio.

IMPORTANTE: Si la enterrosca sobresale más de 1/2", la junta tórica no sellará correctamente y será necesario ajustar la enterrosca

3. Envuelva las roscas de la enterrosca con cinta de plomero o use sellador de tuberías.
4. Asegúrese de que el cabezal de vapor se alinee en posición vertical cuando esté apretado. El cabezal de vapor solo debe apretarse firmemente a mano. Usar una llave en el cabezal puede dañarlo. Enrosque el cabezal de vapor en la enterrosca y fíjese cómo se alinea. Una vez que se haya realizado una alineación adecuada, retire el cabezal de vapor.

1. Assurez-vous que le manchon fileté de 3/4 po présente une saillie de 1/4 po à 1/2 po (6-12 mm) par rapport aux carreaux.
2. Assurez-vous que l'écart entre le mur fini et le manchon fileté ne dépasse pas 1/2 po.

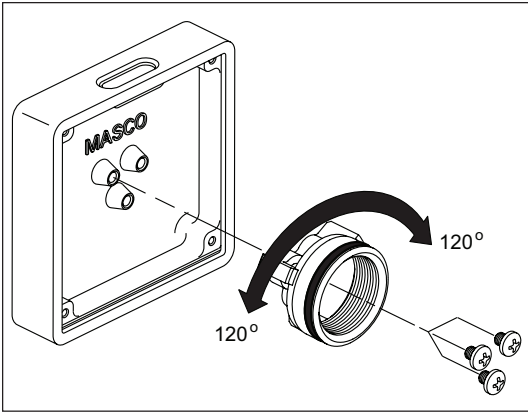
IMPORTANT : Si la saillie du manchon fileté est supérieure à 1/2 po, le joint torique n'assurera pas l'étanchéité et le manchon devra être ajusté.

3. Enrobez les filets du manchon fileté de ruban ou de pâte d'étanchéité.
4. Prenez soin d'orienter la tête de vapeur vers le haut en la serrant. La tête de vapeur doit être serrée fermement, à la main seulement. L'utilisation d'une clé pourrait l'endommager. Vissez la tête de vapeur sur le manchon et vérifiez son positionnement. Une fois qu'elle est bien positionnée, retirez-la.

NOTE: The steam head has been designed with a 360 degree dispersion of steam to improve steam circulation and to minimize the hotspots created with the traditional steam heads. For maximum comfort the steam head should always be located as far from the seating area as possible. Should the location of the steam head necessitate blocking the steam from a particular direction to improve bather comfort, the supplied deflector plate can be added to any of the three sides shown to help divert the steam away from the bather. The deflector is attached to the back side of the head before installation with 2 stainless steel screws provided. (See Option Installation, Deflector section on next page).

NOTA: El cabezal de vapor se ha diseñado con una dispersión de vapor de 360 grados para mejorar la circulación del vapor y minimizar los puntos calientes creados con los cabezales de vapor tradicionales. Para una máxima comodidad, el cabezal de vapor siempre debe ubicarse lo más lejos posible del área de asientos. Si la ubicación del cabezal de vapor requiere bloquear el vapor desde una dirección particular para mejorar la comodidad del bañista, puede agregar la placa deflector suministrada a cualquiera de los tres lados que se muestran para ayudar a desviar el vapor lejos del bañista. El deflector se fija a la parte trasera del cabezal antes de la instalación con los 2 tornillos de acero inoxidable incluidos. (Consulte la sección Instalación de opciones, Deflector en la página siguiente).

NOTE : La tête de vapeur a été conçue pour disperser la vapeur sur 360 degrés afin d'améliorer la circulation et de limiter les points chauds créés par les têtes de vapeur classiques. Pour que le confort soit optimal, la tête de vapeur doit se trouver aussi loin que possible de la place assise. Si, en raison de l'emplacement de la tête de vapeur, une sortie de vapeur doit être bloquée pour éviter que la vapeur soit dirigée directement vers l'utilisateur, le déflecteur fourni peut être ajouté sur n'importe quel des trois côtés. Il suffit de le fixer à la face arrière de la tête avant l'installation avec les deux vis en acier inoxydable fournies. (voir la section Déflecteur à la rubrique Installation facultative sur la page suivante).



NOTE: If necessary the head can be repositioned by disassembling the hub from the cover and selecting one of the two alternate positions.

1. Re-apply sealant tape if necessary.
2. Place a bead of silicone around the pipe, sealing the pipe to the wall.
3. Place a bead of silicone around the back outer edge of the back plate.
4. Center and square the back plate over the nipple. While holding the head in place, attach the nipple by hand tightening the screws to the head.
5. Adjust the back plate and head to line up squarely. Remove any excess silicone with rubbing alcohol.

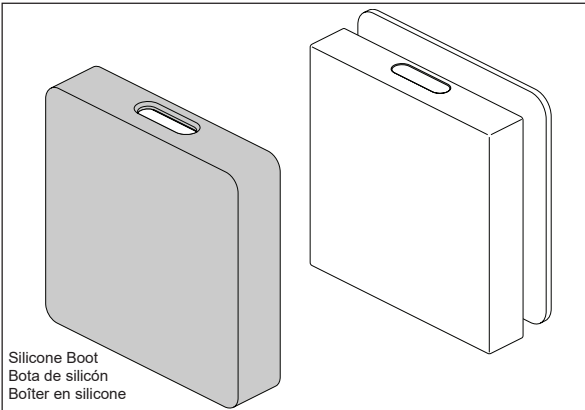
NOTA: Si es necesario el cabezal se puede repositionar desmontando el cubo de la cubierta y seleccionando una de las dos posiciones alternas.

1. Si es necesario, vuelva a aplicar cinta selladora.
2. Coloque un cordón de silicona alrededor de la tubería, sellando la tubería a la pared.
3. Coloque una gota de silicona alrededor del borde exterior trasero de la placa trasera.
4. Centre y escuadre la placa trasera sobre la entrosca. Mientras mantiene la cabeza en su lugar, fije el pezón apretando a mano los tornillos a la cabeza.
5. Ajuste la placa trasera y el cabezal para que queden alineados. Retire cualquier exceso de silicona con alcohol isopropílico.

NOTE: Au besoin, vous pouvez repositionner la tête en retirant l'embout du couvercle et en sélectionnant une des deux positions de rechange.

1. Réappliquez du ruban d'étanchéité au besoin.
2. Appliquez un cordon de scellant à la silicone autour du tuyau pour assurer l'étanchéité entre celui-ci et le mur.
3. Appliquez un cordon de scellant à la silicone sur le rebord extérieur arrière de la plaque arrière.
4. Centrez la plaque arrière sur le manchon et mettez-la d'équerre. Tout en maintenant la tête en place, fixez le mamelon à la main en serrant les vis à la tête.
5. Ajustez la plaque arrière et la tête pour qu'elles soient d'équerre. Enlevez le surplus de scellant à la silicone avec de l'alcool à friction.

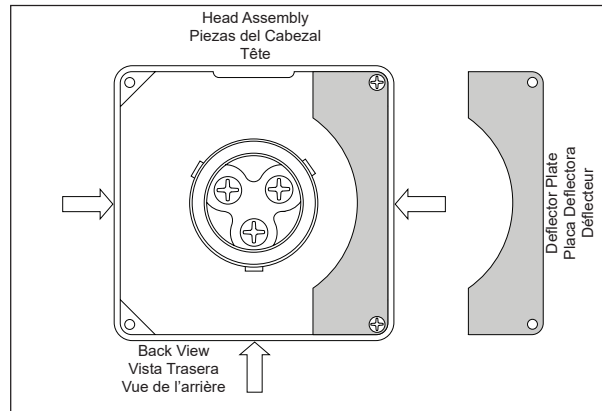
3 Optional Installation Instalación opcional Installation facultative



IMPORTANT: A silicone boot is provided and should be installed to protect against accidental contact with the hot surface temperature of the steam head, which can reach approximately 212° during operation.

IMPORTANT: Se proporciona una bota de silicona y debe instalarse para proteger contra el contacto accidental con la temperatura de la superficie caliente del cabezal de vapor, que puede alcanzar aproximadamente 212° durante la operación.

IMPORTANT : Un boîtier en silicone est fournie et doit être installée pour protéger contre tout contact accidentel avec la température de surface chaude de la tête de vapeur, qui peut atteindre environ 212° pendant le fonctionnement.



If needed to improve bather comfort the included optional steam deflector can be installed to block the flow of steam from any of the shown sides of the steam head.

Si es necesario para mejorar la comodidad del bañista, se puede instalar el deflector de vapor opcional que se incluye para bloquear el flujo de vapor desde cualquiera de los lados mostrados del cabezal de vapor.

Au besoin, pour améliorer le confort de l'utilisateur, le déflecteur peut être installé afin d'empêcher la vapeur de jaillir par l'un ou l'autre des côtés de la tête de vapeur montrés sur la figure.

Limited Warranty on Brizo® Steam Bath and Steam Shower Products
Applicable to products purchased and installed in the USA and Canada

Residential Steam Bath Generators: Brizo Kitchen and Bath Company ("Brizo") warrants to the original consumer purchaser that the parts (except for electronic parts) of its residential steam bath generator purchased from authorized Brizo sellers will be free from defects in materials and workmanship for as long as the original consumer purchaser owns the home in which the steam bath was originally installed. This lifetime limited warranty does not apply to residential steam bath generators that are used in commercial applications (as defined herein).

Residential Electronic Parts, Controls, Spa Options and Accessories: Brizo warrants to the original consumer purchaser that the electronic parts of its steam bath generator and its controls, spa options and accessories purchased from authorized Brizo sellers will be free from defects in materials and workmanship for a period of two (2) years from the date that the product is received by the original consumer purchaser or their authorized representative (installation contractor, etc.). This two-year limited warranty does not apply to controls, spa options, electronic parts and accessories that are used in commercial applications (as defined herein).

Commercial Warranty: For the purposes of this warranty the term "commercial application" refers to installation in any setting in which the product is not being used for personal household use, including, but not limited to, hospitality applications, day spas and short-term and long-term rentals. Brizo warrants that the parts (including electronic parts) of its steam bath generators (including steam bath generators with model numbers beginning with 8GE that are 7.5kW-15kW), equipment, controls, electronic parts, spa options and accessories purchased from authorized Brizo sellers and used in a commercial application will be free from defects in materials and workmanship for a period of one (1) year from the date that the product is received by the original purchaser or their authorized representative (installation contractor, etc.).

What We Will Do: Brizo will, at its option, repair or replace, free of charge, any part that proves defective in material and/or workmanship under normal installation, use and service during the applicable warranty period as stated above. Brizo may elect to refund the purchase price. Replacement parts are subject to availability and may differ from those originally supplied.

For residential applications, two (2) years following the date that the product was received by the original consumer purchaser or their authorized representative (installation contractor, etc.) and with prior approval by Brizo, Brizo will pay for labor for repair/replacement associated with warranty coverage. Thereafter, Brizo will not pay for labor associated with removal/repair/replacement of products covered by this warranty.

For commercial applications, Brizo will, with prior approval by Brizo, pay for labor associated with warranty coverage for ninety (90) days from the date that the product is received by the original purchaser or their authorized representative (installation contractor, etc.). Thereafter, Brizo will not pay for labor associated with removal/repair/replacement of products covered by this warranty. **These are the consumer's exclusive remedies.**

What Is Not Covered: Because Brizo is unable to control the quality of Brizo products sold by unauthorized sellers, unless otherwise prohibited by law, this warranty does not cover Brizo products purchased from unauthorized sellers.

This warranty does not cover damage caused by improper or negligent installation or use. Provided that Brizo is paying the cost of the labor under the terms above, this warranty does not cover repairs attempted by any person other than an authorized Brizo agent and shall be limited to the repair or replacement of defective parts by Brizo or its authorized agent.

This warranty is void if any of the following should occur:

- The use of the product for an unintended application, including a commercial application for all products except those products for which a commercial application is appropriate.
- Failure to follow instructions, including care, cleaning and usage instructions, provided in the product's owner's manual.
- The product's serial number has been altered or removed.
- The product is modified in any manner which Brizo concludes, after its inspection, affects the reliability of the product.
- The product has been improperly repaired by anyone not specifically designated or authorized by Brizo.
- The product is damaged because it is not operated or installed in accordance with supplied instructions.
- The product is installed outdoors.
- The product is installed in a moist and/or humid area with unconditioned air or temperatures that exceed 104 degrees Fahrenheit.
- The product is damaged due to freezing.
- The product is damaged by acts of God.

How to Make a Warranty Claim: To obtain warranty repair or replacement, contact Brizo at: 800-355-6478 or steam-prodserv@brizo.com to receive an RGA# (Return Goods Authorization number) which must be on the carton that is returned via UPS Ground or equivalent. Proof of purchase (original sales receipt showing purchase date) identifying the model and serial number and documentation of the date of receipt of the product by the original purchaser or their authorized representative (installation contractor, etc.) must accompany all warranty claims.

Limitation on Duration of Implied Warranties: Please note that some states/provinces (including Quebec) do not allow limitations on how long an implied warranty lasts, so the below limitations may not apply to you. TO THE MAXIMUM EXTENT PERMITTED BY APPLICABLE LAW, ANY IMPLIED WARRANTY, INCLUDING THE IMPLIED WARRANTIES OF MERCHANTABILITY AND OF FITNESS FOR A PARTICULAR PURPOSE, IS LIMITED TO THE STATUTORY PERIOD OR THE DURATION OF THIS WARRANTY, WHICHEVER IS SHORTER.

Limitation of Special, Incidental or Consequential Damages: Please note that some states/provinces (including Quebec) do not allow the exclusion or limitation of special, incidental or consequential damages, so the below limitations and exclusions may not apply to you. TO THE MAXIMUM EXTENT PERMITTED BY APPLICABLE LAW, THIS WARRANTY DOES NOT COVER, AND BRIZO SHALL NOT BE LIABLE FOR, ANY SPECIAL, INCIDENTAL OR CONSEQUENTIAL DAMAGES WHETHER ARISING OUT OF BREACH OF ANY EXPRESS OR IMPLIED WARRANTY, BREACH OF CONTRACT, TORT, OR OTHERWISE.

Additional Rights: This warranty gives you specific legal rights, and you may also have other rights which vary from state/province to state/province. This is Brizo's exclusive written warranty and the warranty is not transferable.

Garantía limitada de los productos Brizo® Steam Bath y Steam Shower

Aplicable a productos comprados e instalados en EE. UU. y Canadá

Generadores para baños de vapor residenciales: Brizo Kitchen and Bath Company ("Brizo") garantiza al comprador consumidor original que las partes (excepto las partes electrónicas) de su generador de baño de vapor residencial comprado a vendedores autorizados de Brizo estarán libres de defectos en materiales y de fabricación durante el tiempo que el comprador consumidor original es dueño de la casa en la que se instaló originalmente el baño de vapor. Esta garantía limitada de por vida no se aplica a los generadores de baños de vapor residenciales que se utilizan en aplicaciones comerciales (como se define en este documento).

Las partes electrónicas residenciales, controles, opciones de spa y accesorios: Brizo garantiza al comprador consumidor original que las partes electrónicas de su generador de baño de vapor y sus controles, opciones de spa y accesorios comprados a vendedores autorizados de Brizo estarán libres de defectos en materiales y de fabricación durante un período de dos (2) años a partir de la fecha que el producto es recibido por el comprador consumidor original o su representante autorizado (contratista de instalación, etc.). Esta garantía limitada de dos años no se aplica a los controles, las opciones de spa, las piezas electrónicas y los accesorios que se utilizan en aplicaciones comerciales (como se define en este documento).

Garantía Comercial: A los efectos de esta garantía, el término "aplicación comercial" se refiere a la instalación en cualquier entorno en el que el producto no se utilice para uso doméstico personal, incluidas, entre otras, aplicaciones de hospitalidad, spas de día y servicios a corto y largo plazo, alquileres a plazo.

Brizo garantiza que las piezas (incluidas las piezas electrónicas) de sus generadores de baños de vapor (incluidos los generadores de baños de vapor con números de modelo que comienzan con 8GE que son de 7,5 kW a 15 kW), equipos, controles, piezas electrónicas, opciones de spa y accesorios comprados a vendedores autorizados de Brizo y utilizado en una aplicación comercial estará libre de defectos de materiales y de fabricación durante un período de un (1) año a partir de la fecha en que el comprador original o su representante autorizado (contratista de instalación, etc.) reciba el producto.

Lo que haremos: Brizo, a su elección, reparará o reemplazará, sin cargo, cualquier pieza que presente defectos de material y/o de fabricación en condiciones normales de instalación, uso y servicio durante el período de garantía aplicable como se indicó anteriormente. Brizo puede optar por reembolsar el precio de compra. Las piezas de repuesto están sujetas a disponibilidad y pueden ser diferentes a las suministradas originalmente.

Para aplicaciones residenciales, dos (2) años a partir de la fecha en que el producto fue recibido por el comprador consumidor original o su representante autorizado (contratista de instalación, etc.), y con la aprobación previa de Brizo, Brizo pagará la mano de obra para la reparación/reemplazo asociada con la cobertura de la garantía. A partir de entonces, Brizo no pagará la mano de obra asociada con la extracción/reparación/reemplazo de los productos cubiertos por esta garantía.

Para aplicaciones comerciales, Brizo, con la aprobación previa de Brizo, pagará la mano de obra asociada con la cobertura de la garantía durante noventa (90) días a partir de la fecha en que el comprador original o su representante autorizado (contratista de instalación, etc.) reciba el producto. A partir de entonces, Brizo no pagará la mano de obra asociada con la extracción/reparación/reemplazo de los productos cubiertos por esta garantía. **Estos son los remedios exclusivos del consumidor.**

Lo que no está cubierto: Debido a que Brizo no puede controlar la calidad de los productos Brizo vendidos por vendedores no autorizados, a menos que la ley lo prohíba, esta garantía no cubre los productos Brizo comprados a vendedores no autorizados.

Esta garantía no cubre los daños causados por una instalación o uso inadecuado o negligente. Siempre que Brizo pague el costo de la mano de obra según los términos anteriores, esta garantía no cubre las reparaciones intentadas por cualquier persona que no sea un agente autorizado de Brizo y se limitará a la reparación o reemplazo de piezas defectuosas por parte de Brizo o su agente autorizado.

Esta garantía queda anulada si ocurre cualquiera de lo siguiente:

- El uso del producto para una aplicación no prevista, incluida una aplicación comercial para todos los productos, excepto aquellos productos para los que es adecuada una aplicación comercial.
- No seguir las instrucciones, incluidas las instrucciones de cuidado, limpieza y uso, proporcionadas en el manual del propietario del producto.
- El número de serie del producto ha sido alterado o eliminado.
- El producto se modifica de cualquier manera que Brizo concluya, después de su inspección, que afecta la confiabilidad del producto.
- El producto ha sido reparado incorrectamente por alguien que no ha sido específicamente designado o autorizado por Brizo.
- El producto está dañado porque no se operó o instaló de acuerdo con las instrucciones proporcionadas.
- El producto está instalado al aire libre.
- El producto está instalado en un área húmeda y/o húmeda con aire no acondicionado o temperaturas que exceden los 104 grados Fahrenheit.
- El producto está dañado debido a la congelación.
- El producto está dañado por fuerza mayor.

Cómo hacer un reclamo de garantía: Para obtener reparación o reemplazo en garantía, comuníquese con Brizo al: 800-355-6478 o steam-prodsv@brizo.com para recibir un RGA# (Número de autorización de devolución de mercancías) que debe estar en la caja que se devuelve a través de UPS Ground o el equivalente. El comprador de compra (recibo de compra original que muestre la fecha de compra) que identifique el modelo y el número de serie y la documentación de la fecha de recepción del producto por parte del comprador original o su representante autorizado (contratista de instalación, etc.) debe acompañar todos los reclamos de garantía.

Limitación de la duración de las garantías implícitas: Tenga en cuenta que algunos estados/provincias (incluido Quebec) no permiten limitaciones sobre la duración de una garantía implícita, por lo que es posible que las siguientes limitaciones no se apliquen en su caso. EN LA MEDIDA MÁXIMA PERMITIDA POR LA LEY APLICABLE, CUALQUIER GARANTÍA IMPLÍCITA, INCLUIDAS LAS GARANTÍAS IMPLÍCITAS DE COMERCIABILIDAD E IDONEIDAD PARA UN FIN DETERMINADO, SE LIMITA AL PERÍODO LEGAL O A LA DURACIÓN DE ESTA GARANTÍA, EL QUE SEA MÁS BREVE.

Limitación de daños especiales, incidentales o consecuentes: Tenga en cuenta que algunos estados/provincias (incluido Quebec) no permiten la exclusión o limitación de daños especiales, incidentales o consecuentes, por lo que es posible que las siguientes limitaciones y exclusiones no se apliquen en su caso. EN LA MEDIDA MÁXIMA PERMITIDA POR LA LEY APLICABLE, ESTA GARANTÍA NO CUBRE, Y BRIZO NO SERÁ RESPONSABLE DE, NINGÚN DAÑO ESPECIAL, INCIDENTAL O CONSECUENTE QUE SURJA DEL INCUMPLIMIENTO DE CUALQUIER GARANTÍA EXPLÍCITA O IMPLÍCITA, INCUMPLIMIENTO DE CONTRATO, AGRAVIO O DE OTRA MANERA.

Derechos adicionales: Esta garantía le otorga derechos legales específicos, y es posible que también tenga otros derechos que varían de un estado/provincia a otro estado/provincia. Esta es la garantía escrita exclusiva de Brizo y la garantía no es transferible.

Garantie limitée des douches à vapeur et des bains de vapeur Brizo®

Applicable aux produits achetés et installés aux États-Unis et au Canada

Générateurs pour bain de vapeur résidentiel: Brizo Kitchen and Bath Company (« Brizo ») garantit à l'acheteur au détail initial que les pièces (sauf les pièces électroniques) de ce générateur pour bain de vapeur résidentiel achetées de vendeurs Brizo autorisés sont exemptes de matériaux défectueux et de vices de fabrication. Cette garantie est valide aussi longtemps que l'acheteur au détail initial possède la maison dans laquelle le bain de vapeur a été installé. Cette garantie à vie limitée ne s'applique pas aux générateurs pour bain de vapeur résidentiel qui sont utilisés dans des applications commerciales (définies dans le présent document).

Pièces électroniques, commandes, options de spa et accessoires résidentiels: Brizo garantit à l'acheteur au détail initial que les pièces électroniques de son générateur pour bain de vapeur ainsi que les commandes, les options de spa et les accessoires achetés de vendeurs Brizo autorisés seront exemptes de matériaux défectueux et de vices de fabrication pendant une période de deux (2) ans calculée à compter de la date de réception du produit par l'acheteur au détail initial ou son représentant autorisé (entrepreneur chargé de l'installation, etc.). La garantie limitée de deux (2) ans ne s'applique pas aux commandes, aux options de spa, aux pièces électroniques et aux accessoires utilisés dans des applications commerciales (définies dans le présent document).

Garantie commerciale: Dans le libellé de la présente garantie, « applications commerciales » désigne toute installation dans des lieux où le produit n'est pas utilisé par un ménage, y compris, sans s'y limiter, les lieux d'accueil, les spas de jour ainsi que les lieux d'hébergement loués à court et à long termes.

Brizo garantit que les pièces (y compris les pièces électroniques) de ses générateurs pour bain de vapeur (y compris les générateurs pour bain de vapeur de 7,5 kW à 15 kW dont le numéro de modèle débute par 8GE), l'équipement, les commandes, les pièces électroniques, les options de spa et les accessoires achetés de vendeurs Brizo autorisés et utilisés dans des applications commerciales seront exemptes de matériaux défectueux et de vices de fabrication pendant une période d'un (1) an calculée à compter de la date de réception du produit par l'acheteur initial ou son représentant autorisé (entrepreneur chargé de l'installation, etc.).

Ce que nous ferons: À sa discrétion, Brizo réparera ou remplacera, sans frais, toute pièce ayant été installée, utilisée et entretenue normalement qui comportera un matériau défectueux et/ou présentera un vice de fabrication pendant la période de garantie susmentionnée. Brizo pourra décider de rembourser le prix d'achat. Les pièces de rechange seront fournies sous réserve de leur disponibilité et elles pourront être différentes de celles fournies initialement.

Dans le cas des applications résidentielles, au cours de la période de deux (2) ans qui suivra la date de réception du produit par l'acheteur au détail initial ou son représentant autorisé (entrepreneur chargé de l'installation, etc.) et sous réserve de l'approbation au préalable de Brizo, Brizo paiera la main-d'œuvre pour la réparation ou le remplacement des produits aux termes de la garantie. Par la suite, Brizo ne paiera pas la main-d'œuvre nécessaire pour la dépose et la réparation ou le remplacement des produits couverts par la présente garantie.

Dans le cas des applications commerciales, Brizo paiera, sous réserve de l'approbation au préalable de Brizo, la main-d'œuvre associée à la couverture de la garantie pendant une période de quatre-vingt-dix (90) jours calculée à compter de la date de réception du produit par l'acheteur initial ou son représentant autorisé (entrepreneur chargé de l'installation, etc.). Par la suite, Brizo ne paiera pas la main-d'œuvre nécessaire pour la dépose et la réparation ou le remplacement des produits couverts par la présente garantie. **Il s'agit des seuls recours du consommateur.**

Ce qui n'est pas couvert: Étant donné que Brizo est incapable de contrôler la qualité des produits vendus par des vendeurs non autorisés, la présente garantie ne couvre pas les produits Brizo vendus par des vendeurs non autorisés, à moins qu'une telle restriction soit interdite par la loi.

La présente garantie ne couvre pas les dommages causés par une installation ou une utilisation inappropriée ou négligente. Étant donné que Brizo paie le coût de la main-d'œuvre selon les modalités susmentionnées, la présente garantie ne couvre pas les réparations effectuées par une personne autre qu'un agent autorisé Brizo et elle se limite à la réparation ou au remplacement des pièces défectueuses par Brizo ou son agent autorisé.

La présente garantie ne s'applique pas dans l'une ou l'autre des circonstances suivantes :

- L'utilisation du produit pour une application à laquelle il n'est pas destiné, y compris une application commerciale, sauf s'il s'agit d'un produit qui est adapté à cette application.
- L'omission de respecter les instructions, notamment les instructions d'entretien, de nettoyage et d'utilisation, contenues dans le manuel du propriétaire du produit.
- Le numéro de série du produit a été altéré ou effacé.
- Le produit a été modifié d'une manière quelconque qui, de l'avis de Brizo, après inspection du produit, compromet la fiabilité de celui-ci.
- Le produit a été réparé incorrectement par une personne quelconque qui n'est pas désignée ou autorisée expressément par Brizo.
- Le produit est endommagé parce qu'il n'a pas été installé conformément aux instructions fournies.
- Le produit est installé à l'extérieur.
- Le produit est installé dans un environnement humide et l'air n'est pas climatisé ou la température excède 40 degrés Celsius (104 degrés Fahrenheit).
- Le produit a été endommagé par le gel.
- Le produit a été endommagé en raison d'un acte fortuit.

Comment faire une réclamation aux termes de la garantie: Pour faire réparer ou remplacer le produit aux termes de la garantie, communiquez avec Brizo au 800-355-6478 ou à steam-prodserv@brizo.com afin d'obtenir un numéro d'autorisation de retour qui devra se trouver dans l'emballage retourné par l'intermédiaire de UPS Ground ou l'équivalent. La preuve d'achat (original du reçu montrant la date d'achat) indiquant le modèle et le numéro de série ainsi que la documentation indiquant la date de réception par l'acheteur initial ou son représentant autorisé (entrepreneur chargé de l'installation, etc.) doivent accompagner toutes les réclamations aux termes de la garantie.

Limitation de la durée des garanties implicites: Veuillez noter qu'il est interdit dans certains États et certaines provinces (y compris le Québec) de limiter la durée d'une garantie implicite. Par conséquent, les limites mentionnées ci-dessous peuvent ne pas s'appliquer à vous. **DANS LA MESURE DE CE QUI EST PERMIS PAR LA LOI APPLICABLE, TOUTES LES GARANTIES IMPLICITES, Y COMPRIS LE GARANTIES IMPLICITES DE QUALITÉ MARCHANDE ET D'ADÉQUATION À UN USAGE PARTICULIER, SE LIMITENT À LA PÉRIODE FIXÉE PAR LA LOI OU À LA DURÉE DE LA PRÉSENTE GARANTIE, LA PLUS COURTE DES DEUX PÉRIODES S'APPLIQUANT.**

Limitation des dommages particuliers, consécutifs ou indirects: Veuillez noter qu'il est interdit dans certains États et certaines provinces (y compris le Québec) d'exclure ou de limiter les dommages particuliers, consécutifs ou indirects. Par conséquent, les exclusions et les limites mentionnées ci-dessous peuvent ne pas s'appliquer à vous. **DANS LA MESURE DE CE QUI EST PERMIS PAR LE DROIT APPLICABLE, BRIZO SE DÉGAGE DE TOUTE RESPONSABILITÉ À L'ÉGARD DES DOMMAGES PARTICULIERS, CONSÉCUTIFS OU INDIRECTS, PEU IMPORTE QU'ILS DÉCOULENT D'UNE RUPTURE D'UNE GARANTIE IMPLICITE OU EXPLICITE, D'UNE RUPTURE DE CONTRAT, D'UN DÉLIT CIVIL OU D'UNE AUTRE CAUSE, ET CES DOMMAGES NE SONT PAS COUVERTS PAR LA GARANTIE.**

Droits supplémentaires: La présente garantie vous procure des droits particuliers reconnus par la loi. Vous pouvez aussi avoir d'autres droits qui varient selon l'État ou la province. La présente garantie écrite est la seule garantie offerte par Brizo et elle n'est pas transférable.



Model Number: _____
Número del modelo : _____
Numéro de modèle : _____

Date of Purchase: _____
Fecha de compra _____
Date d'achat _____

Register Online
Regístrese en línea
S'enregistrer en ligne
www.brizo.com/customer-support/product-registration

To reference replacement parts and access additional technical documents and product info, visit www.brizo.com

Para referencia sobre las piezas de repuesto y acceder a documentos técnicos adicionales e información del producto, visite www.brizo.com

Pour obtenir la référence des pièces de rechange ainsi que pour avoir accès à d'autres documents techniques et renseignements sur le produit, allez à www.brizo.com



1-800-355-6478
www.brizo.com/customer-support/contact-us

Read all instructions prior to installation.

⚠ CAUTION

Failure to read these instructions prior to installation may result in personal injury, property damage, or product failure. Manufacturer assumes no responsibility for product failure due to improper installation.

Lea todas las instrucciones antes de hacer la instalación.

⚠ ADVERTENCIA

El no leer estas instrucciones de instalación puede resultar en lesiones personales, daños a la propiedad, o falla en el funcionamiento del producto. El fabricante no asume ninguna responsabilidad por la falla del producto debido a una instalación incorrecta.

Veillez lire toutes les instructions avant l'installation.

⚠ AVERTISSEMENT

L'omission de lire les présentes instructions avant l'installation peut entraîner des blessures, des dommages matériels ou le bris du produit. Le fabricant se dégage de toute responsabilité à l'égard d'un bris du produit causé par une mauvaise installation.

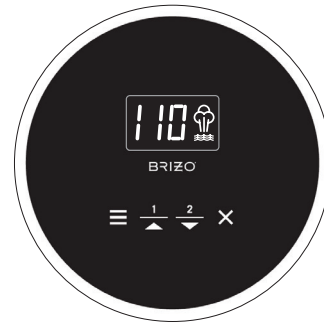


Image is for reference only.
La imagen es sólo para referencia.
L'image est fournie à titre indicatif seulement.



IMPORTANT: "Steam bath important safety instructions" publication 114317 includes a warning label that the contractor must install on the wall near the entrance to the steam room in a highly visible location. This label and its additional safety information are packaged with the generator packaging containing the installation instructions. If it is lost or missing contact: *customer support (1-800-394-6478)* for replacement instructions. This publication, along with all documents, must be left with the owner.



IMPORTANTE: La publicación 114317 "Instrucciones importantes de seguridad para baños de vapor" incluye una etiqueta de advertencia que el contratista debe instalar en la pared cerca de la entrada del baño de vapor en un lugar bien visible. Esta etiqueta y su información de seguridad adicional se incluyen con el paquete del generador que contiene las instrucciones de instalación. Si se pierde o falta, comuníquese con: atención al cliente (1-800-394-6478) para obtener instrucciones de reemplazo. Esta publicación junto con todos los documentos debe dejarse con el propietario.



IMPORTANT : Le document 114317 intitulé « Instructions de sécurité importantes concernant le bain de vapeur » inclut une étiquette d'avertissement que l'entrepreneur doit apposer sur le mur près de l'entrée de l'enceinte de vapeur à un endroit bien à la vue. Cette étiquette et les feuillets sur lesquels figurent des renseignements de sécurité supplémentaires se trouvent dans l'emballage du générateur qui renferme les instructions d'installation. Si les instructions ont été perdues ou sont manquantes, communiquez avec le Service à la clientèle (1-800-394-6478) pour en obtenir d'autres. Ce document ainsi que tous les autres documents doivent être remis au propriétaire.

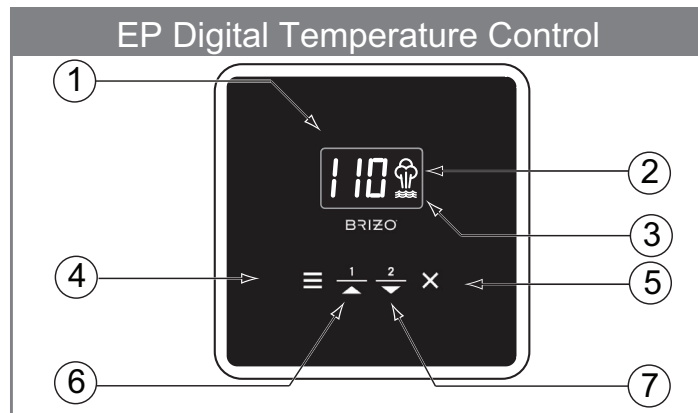
Control Features

- 1. Temperature Display:** The digital readout displays the ambient temperature, set point and cycle time, system status, and diagnostic error codes.
- 2. Steam Icon:** When illuminated, the steam cycle is running.
- 3. Water Icon:** When steam shower is not in use, the blue water icon indicates the RapidMist feature is on. This is also illuminated during a steam bath cycle.
- 4. Menu button:** Used to change cycle time, turn *RapidMist on or off, and switch between °F and °C. When steam is off, pressing this button will toggle between these settings. The settings are changed with the up/down arrow buttons.
- 5. Stop button:** Pressing this button stops the current steam cycle and the Menu mode.
- 6. User 1 button:** Starts the user one cycle and is the up function when changing Menu settings. Pressing this button while in a cycle will change the temperature and remaining time left on that cycle.
- 7. User 2 button:** Starts the user two cycle and is the down function when changing Menu settings. Pressing this button while in a cycle will change the temperature and remaining time left on that cycle.

IMPORTANT: This control must be installed inside the steam room for proper operation of the system.

Cleaning instructions: Use a damp cloth and mild soap. Do NOT use abrasive cleaners which might scratch the surface or the base of the control.

* RapidMist option is only available when connecting to a 8GE-TSG series steam generator. RapidMist is a preheat function that keeps the water heated for quick starts.



Funciones para el control

- 1. Pantalla de temperatura:** la lectura digital muestra la temperatura ambiente, el punto de configuración y el tiempo de ciclo, el estado del sistema y los códigos de error de diagnóstico.
- 2. Icono de vapor:** cuando está iluminado, el ciclo de vapor está en función.
- 3. Icono de agua:** cuando la ducha de vapor no está en uso, el icono de agua azul indica que la función RapidMist está activada. Esto también se ilumina durante un ciclo de baño de vapor.
- 4. Botón de menú:** se usa para cambiar el tiempo del ciclo, prender o apagar *RapidMist y cambiar entre °F y °C. Cuando el vapor está apagado, al presionar este botón se alternará entre estas configuraciones. Los ajustes se cambian con los botones de flecha arriba/abajo.
- 5. Botón de parada:** Al presionar este botón, se detiene el ciclo de vapor actual y la configuración del Menú.
- 6. Botón para el usuario 1:** inicia el ciclo de uso uno y es la función hacia arriba cuando cambia la configuración del menú. Al presionar este botón mientras está en un ciclo cambiará la temperatura y el tiempo restante que queda en ese ciclo.
- 7. Botón para el usuario 2:** inicia el ciclo para el uso dos y es la función hacia abajo cuando se cambia la configuración del menú. Al presionar este botón mientras está en un ciclo cambiará la temperatura y el tiempo restante que queda en ese ciclo.

IMPORTANTE: Este control debe instalarse dentro de la sala de vapor para el funcionamiento correcto del sistema.

Instrucciones para la limpieza: Use un paño húmedo y jabón suave. NO use limpiadores abrasivos que puedan rayar la superficie o la base del control.

* La opción RapidMist solo está disponible cuando se conecta a un generador de vapor de la serie 8GE-TSG. RapidMist es una función de precalentamiento que mantiene el agua caliente para un inicio rápido.

Caractéristiques de l'appareil de commande

- 1. Affichage de la température :** L'afficheur numérique indique la température ambiante, le point de consigne ainsi que la durée du cycle de production de vapeur, l'état du système et les codes d'erreur aux fins de diagnostic.
- 2. Icône de vapeur :** Lorsqu'elle est allumée, le cycle de production de vapeur est en cours.
- 3. Icône d'eau :** Lorsque la douche de vapeur n'est pas utilisée, l'icône d'eau bleue indique que la fonction RapidMist est activée. L'icône est également allumée au cours du cycle de fonctionnement du bain de vapeur.
- 4. Bouton de menu :** Ce bouton sert à modifier la durée du cycle de production de vapeur, à activer ou désactiver la fonction *RapidMist et à passer des °F aux °C et vice versa. Lorsqu'il n'y a pas de production de vapeur, il est possible de passer d'un mode de réglage à l'autre en appuyant sur le bouton. La flèche ascendante et la flèche descendante sont utilisées pour effectuer les réglages.
- 5. Bouton d'arrêt :** Une pression sur ce bouton interrompt le cycle de production de vapeur en cours et désactive le mode menu.
- 6. Bouton utilisateur 1 :** Il sert à débiter le cycle de l'utilisateur 1 et à hausser les valeurs de réglage du menu. Une pression sur ce bouton pendant un cycle de production de vapeur modifie la température et la durée restante du cycle.
- 7. Bouton utilisateur 2 :** Il sert à débiter le cycle de l'utilisateur 2 et à abaisser les valeurs de réglage du menu. Une pression sur ce bouton pendant un cycle de production de vapeur modifie la température et la durée restante du cycle.

IMPORTANT : L'appareil de commande doit être installé dans l'enceinte de vapeur pour que le système fonctionne bien.

Instructions de nettoyage : Utilisez un chiffon humide et du savon doux. ÉVITEZ d'utiliser des nettoyeurs abrasifs qui pourraient égratigner la surface ou la base de l'appareil de commande.

* L'option RapidMist est disponible seulement lorsque l'appareil est branché à un générateur de vapeur de la série 8GE-TSG. Il s'agit d'une fonction de préchauffage qui garde l'eau chaude pour accélérer la mise en marche.

1

Installation Instalación Installation

1. Pre-Installation - Control Location

- The Control must be installed inside the steam room and not above the steam head. For convenience the recommended height from the floor is four feet. Provide a 1½" hole in the wall at this location (see Figure 1).

IMPORTANT: Multi-conductor cable must be installed so that the end will not be buried inside the wall. The unit will not operate unless the control is installed.

2. Electrical Rough-in

- Locate the multi-conductor cable. Carefully route the multi-conductor control cable from the steam generator to the control located inside the steamroom (see Figure 1). Route multi-conductor cable through a ¾" conduit to protect the cable from damage.

3. Control and Cable Installation

- Locate the previously installed cable and black plastic strain relief clamp which is in the control packing box. Locate the knockout on the steam generator for the control cable (see Figure 2).
- Place strain relief around cable about seven inches from the end and insert into the hole. Remove the protective covering labeled "Remove Before Installation" from the modular jack found on the PC board.
- Remove the protective cap from the multi-conductor cable plug. Connect the cable to the modular jack.
- Close and secure generator cover.
- Locate Telco Jack at female coupler, on back of the control. Remove the protective covering labeled "Remove Before Installation". Remove protective cap from cable and plug into jack. Check that the orientation of the plug properly aligns with the jack. A snap will indicate the plug is installed correctly (see Figure 3).

⚠ WARNING

Test the control for operation before continuing on to the next step.

- Peel adhesive liner from back of the control. Apply the control to the wall. Press firmly and hold for a few seconds.
- After the control is in place, apply silicone (supplied) around the control to form a watertight seal (see Figure 3).

Figure 1

IMPORTANT: Run the Control Cable through a ¾" conduit.

Inside Installation:

TSC-250 Control. Locate away from the direct line of shower spray and do NOT locate above steam-head.

1½" Hole located four feet from the floor

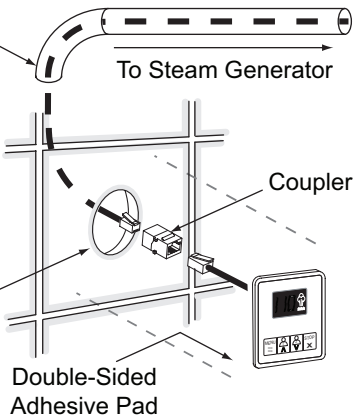


Figure 2

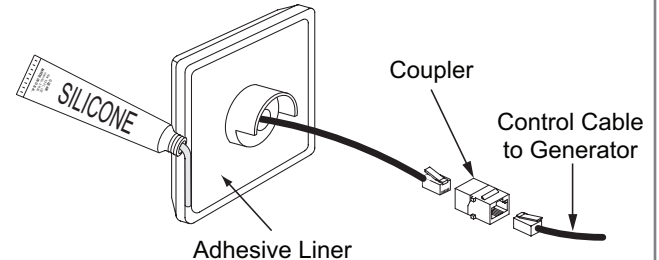
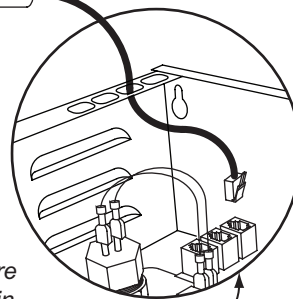


Figure 3 - Cable Installation on Steam Generator

¾" Conduit
To Control



Modular Jacks:
All modular jacks are identical and work in any combination. Connect to any jack.

1. Preinstalación - ubicación del control

a. El control debe instalarse dentro de la sala de vapor y no por encima del cabezal de vapor. Para mayor comodidad, la altura recomendada desde el suelo es de cuatro pies. Proporcione un agujero de 1 1/2" en la pared en este lugar (vea la Figura 1).

IMPORTANTE: El cable multiconductor debe instalarse de modo que el extremo no quede enterrado dentro de la pared. La unidad no funcionará a menos que el control esté instalado.

2. Cableado eléctrico

a. Localice el cable multiconductor. Dirija con cuidado el cable de control multiconductor desde el generador de vapor hasta el control ubicado dentro de la sala de vapor (vea la Figura 1). Pase el cable multiconductor a través de un conducto de 3/4" para proteger el cable de daños.

3. Instalación de cables y control

a. Ubique el cable instalado previamente y la abrazadera de alivio de tensión de plástico negro que se encuentra en la caja de empaque del control. Localice el orificio ciego en el generador de vapor para el cable de control (vea la Figura 2).

b. Coloque el alivio de tensión alrededor del cable a unas siete pulgadas del extremo e insértelo en el orificio. Retire la cubierta protectora con la etiqueta "Quite antes de hacer la instalación" del conector modular que se encuentra en la placa de circuito impreso.

c. Retire la tapa protectora del conector del cable multiconductor. Conecte el cable al conector modular.

d. Cierre y asegure la tapa del generador.

e. Localice el conector Telco Jack en el acoplador hembra, en la parte posterior del control. Retire la cubierta protectora etiquetada como "Quitar antes de la instalación". Retire la tapa protectora del cable y conéctelo al conector. Verifique que la orientación del enchufe se alinee correctamente con el conector. Un chasquido indicará que el enchufe está instalado correctamente (ver Figura 3).

⚠ ADVERTENCIA

Pruebe el funcionamiento del control antes de continuar con el siguiente paso.

f. Despegue el revestimiento adhesivo de la parte posterior del control. Aplique el control a la pared. Presiona firmemente y mantenga presionado durante unos segundos.

g. Una vez que el control esté en su lugar, aplique silicona (suministrada) alrededor del control para crear un sello hermético (vea la Figura 3).

1. Avant l'installation – Emplacement de l'appareil de commande

a. L'appareil de commande doit être installé à l'intérieur de l'enceinte de vapeur, mais pas au-dessus de la tête de vapeur. Idéalement, il doit se trouver à quatre pieds au-dessus du plancher. Faites un trou de 1 1/2 po dans le mur à cet endroit (reportez-vous à la figure 1).

IMPORTANT : Le câble multiconducteur doit être installé de manière que son extrémité ne soit pas à l'intérieur du mur. L'appareil de commande est essentiel au fonctionnement du bain de vapeur.

2. Câblage électrique

a. Saisissez le câble multiconducteur, puis faites-le courir entre le générateur de vapeur et l'appareil de commande situé à l'intérieur de l'enceinte de vapeur (reportez-vous à la figure 1). Faites courir le câble multiconducteur dans un conduit de 3/4 po pour le protéger.

3. Installation de l'appareil de commande et du câble

a. Saisissez le câble multiconducteur installé précédemment et le serre-câble en plastique noir qui se trouve dans l'emballage de l'appareil de commande (reportez-vous à la figure 2).

b. Placez le serre-câble autour du câble à environ sept pouces de l'extrémité et introduisez le câble dans le trou. Enlevez l'étiquette portant la mention « Retirer avant l'installation » de la prise modulaire qui se trouve sur la carte de circuits imprimés.

c. Retirez le capuchon protecteur de la fiche du câble multiconducteur. Branchez le câble dans la prise modulaire.

d. Fermez le couvercle du générateur et immobilisez-le.

e. Saisissez le jack télécommunications près du coupleur femelle, à l'endos de l'appareil de commande. Enlevez la pellicule protectrice portant la mention « Retirer avant l'installation ». Retirez le capuchon protecteur du câble et branchez celui-ci dans le jack. Prenez soin de bien orienter la fiche par rapport au jack. Un claquement indique que la fiche est branchée correctement (reportez-vous à la figure 3).

⚠ AVERTISSEMENT

Vérifiez le fonctionnement de l'appareil de commande avant de passer à l'étape suivante.

f. Retirez la pellicule qui recouvre la surface adhésive à l'endos de l'appareil de commande. Placez l'appareil de commande contre le mur et appuyez fermement contre celui-ci en maintenant la pression pendant quelques secondes.

g. Une fois que l'appareil de commande est en place, appliquez du composé d'étanchéité à la silicone (fourni) autour de celui-ci pour former un joint étanche (reportez-vous à la figure 3).

Operation: Make sure the water and power are turned on. Simply press User 1 or User 2 button to begin the cycle. Press the Stop button to end the cycle. After a cycle is started it will take a few minutes for the Steam Generator to heat up and begin producing steam. This time will be less if the RapidMist has been turned on. During operation the display will show the ambient temperature. To view the remaining cycle time, press the Menu button.

Programming: Adjustments can be made to temperature and cycle time while a cycle is started. When the temperature is displayed, the set temperature can be viewed or changed by momentarily pressing the up or down button. Temperature adjustments made when User 1 cycle is started will be saved to User 1 and likewise for User 2. All changes made to the temperature control are stored in memory until changed again. The temperature range is 60°F to 125°F (16°C to 52°C). While a cycle is running, pressing the Menu button will show the remaining cycle time and this can be adjusted with the up or down buttons. This time adjustment is only for remaining time of the current steam bath cycle.

Default Time Setting: The default time is programmed when the cycle is off using the Menu button. Any adjustments made to time, when the cycle is off, are stored as the new default time for both users.

RapidMist Setting: The RapidMist feature can be turned on or off when the steam cycle is in the off mode. To adjust this setting, press the Menu button until you see the Water Icon, press the Up or Down button to change this setting. Display "On" or "Off" will appear. RapidMist keeps the steam generator warm, for a faster heat up.

Fahrenheit or Celsius setting: To change this setting, while the steam cycle is off, press the Menu button until you see an "F" or "C" in the display. Use the up or down button to change the displayed letter, to correspond to your temperature choice. Press the Stop button to exit the Menu mode. Your last setting will be saved.

NOTE: The EP103314 & EP103315 controls operate and install the same way. The only difference between them is the physical shape.

Operación: Asegúrese de que el agua esté abierta y la electricidad prendida. Simplemente presione el botón Usuario 1 o Usuario 2 para comenzar el ciclo. Pulse el botón 'Stop' para finalizar el ciclo. Después de iniciar un ciclo, el generador de vapor tardará unos minutos en calentarse y comenzar a producir vapor. Este tiempo será menor si se ha comenzado RapidMist. Durante el funcionamiento, la pantalla mostrará la temperatura ambiente. Para ver el tiempo restante del ciclo, presione el botón para el menú, 'Menu'.

Programación: Se pueden hacer ajustes a la temperatura y al tiempo del ciclo mientras se comienza un ciclo. Cuando se muestra la temperatura, la temperatura establecida se puede ver o cambiar presionando momentáneamente el botón hacia arriba o hacia abajo. Los ajustes de temperatura realizados cuando se inicia el ciclo del usuario 1 se guardarán bajo usuario 1 y también para el usuario 2. Todos los cambios realizados en el control de temperatura se almacenan en la memoria hasta que se vuelvan a cambiar. El rango de temperatura es de 60°F a 125°F (16°C a 52°C). Mientras que está en marcha un ciclo, al presionar el botón 'Menu' se mostrará el tiempo restante del ciclo y se puede ajustar con los botones hacia arriba o hacia abajo. Este ajuste de tiempo es solo para el tiempo restante del ciclo de baño de vapor actual.

Configuración de tiempo predeterminado: El tiempo predeterminado se programa cuando el ciclo está apagado usando el botón 'Menu'. Cualquier ajuste realizado al tiempo, cuando el ciclo está apagado, se almacena como el nuevo tiempo predeterminado para ambos usuarios.

Configuración de RapidMist: la función RapidMist se puede encender o apagar cuando el ciclo de vapor está en el modo apagado. Para ajustar esta configuración, presione el botón 'Menu' hasta que vea el ícono de agua, presione el botón Up o Down para cambiar esta configuración. Aparecerá la pantalla "On" y "OFF". RapidMist mantiene caliente el generador de vapor, para un calentamiento más rápido.

Configuración Fahrenheit o Celsius: Para cambiar esta configuración, mientras el ciclo de vapor está apagado, presione el botón Menú hasta que vea una "F" o "C" en la pantalla. Use el botón hacia arriba o hacia abajo para cambiar la letra que se muestra, para que corresponda a su elección de temperatura. Pulse el botón 'Stop' para salir del modo 'Menu'. Se guardará su última configuración.

NOTA: Los controles EP103314 y EP103315 funcionan y se instalan de la misma manera. La única diferencia entre ellos es su forma física.

Fonctionnement : Assurez-vous que le robinet d'alimentation en eau est ouvert et que le système est sous tension. Appuyez sur le bouton UTILISATEUR 1 ou sur le bouton UTILISATEUR 2 pour amorcer le cycle de production de vapeur. Appuyez sur le bouton d'arrêt pour interrompre le cycle. Une fois que le cycle a été amorcé, il faut un certain temps pour que le générateur de vapeur atteigne sa température de fonctionnement et commence à produire de la vapeur. Le temps de réchauffement est moindre si la fonction RapidMist a été ACTIVÉE. Au cours du fonctionnement, l'afficheur indique la température ambiante. Pour afficher la durée restante du cycle, appuyez sur le bouton de menu.

Programmation : Il est possible de régler la température et la durée du cycle alors qu'un cycle a été amorcé. Lorsque la température est affichée, il est possible de visualiser la température de consigne ou de la modifier en appuyant momentanément sur la flèche ascendante ou la flèche descendante. Les réglages de température effectués pendant que le cycle de l'UTILISATEUR 1 est amorcé sont sauvegardés pour l'UTILISATEUR 1. Il en est de même pour l'UTILISATEUR 2. Tous les réglages de température sont conservés en mémoire jusqu'à ce qu'ils soient modifiés. La plage de température est comprise entre 60 °F et 125 °F (16 °C – 52 °C). Lorsqu'un cycle est en cours, une pression sur le bouton de menu affiche la durée restante du cycle et celle-ci peut être réglée avec la flèche ascendante ou descendante. Ce réglage porte uniquement sur la durée restante du cycle en cours du bain de vapeur.

Réglage par défaut de la durée : Pour régler la durée par défaut, il faut utiliser le bouton de menu hors du cycle de production de vapeur. Tous les réglages de la durée effectués hors du cycle de production de vapeur sont mémorisés et deviennent la nouvelle durée par défaut pour les deux utilisateurs.

Réglage de la fonction RapidMist : La fonction RapidMist peut être activée ou désactivée hors du cycle de production de vapeur . Pour effectuer le réglage, appuyez sur le bouton de menu jusqu'à ce que l'icône d'eau s'affiche, puis appuyez sur la flèche ascendante ou la flèche descendante pour modifier le réglage. Le mot « On » ou « OFF » s'affichera. La fonction RapidMist maintient le générateur de vapeur chaud pour accélérer sa montée en température.

Sélection des degrés Fahrenheit ou Celsius : Pour modifier le réglage en dehors du cycle de production de vapeur, appuyez sur le bouton de menu jusqu'à ce qu'un « F » ou un « C » s'affiche. Utilisez la flèche ascendante ou descendante pour passer d'une lettre à l'autre et afficher la température selon votre choix. Appuyez sur le bouton d'arrêt pour quitter le mode menu. Votre dernier réglage sera sauvegardé.

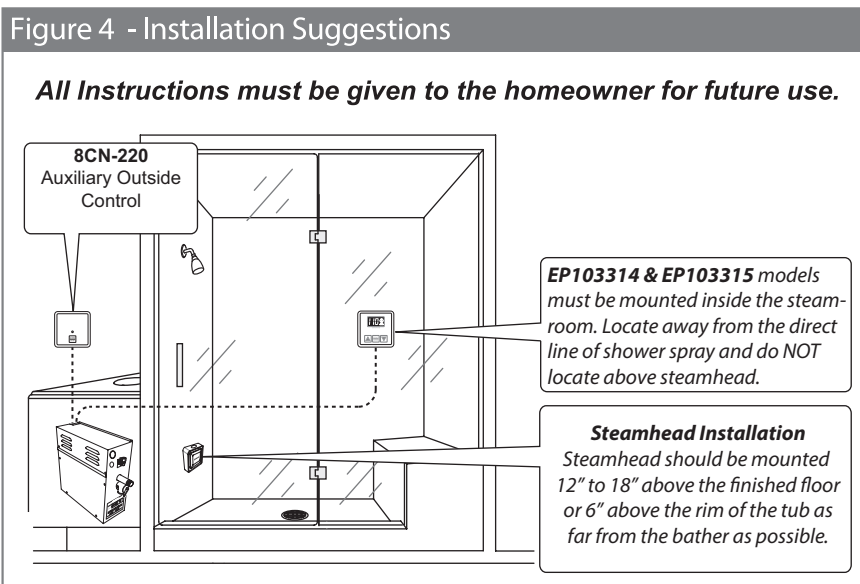
NOTE : Les appareils de commande EP103314 et EP103315 s'installent et fonctionnent de la même manière. Seule leur forme les distinguent.

Additional Features Características adicionales Fonctionnalités supplémentaires

Memory: The temperature set points for User 1, User 2, the default time, and the selection of RapidMist and other settings are retained even if there is a power failure.

Service Mode: To enter the service mode press and hold the Menu button for 5 seconds, until a blue dot lights up in the display. The control is now in the service mode. There are two features in the service mode. Pressing the up arrow displays the program version, pressing the down arrow, restores to factory default.

Error Messages: This control is programmed with a diagnostic feature to help isolate any potential problems. Errors are displayed by flashing an "Er" followed by a 2 digit number. The first digit is the device number. Zero for the control and 1-4 for the generators. The second digit is the error code for that device. Error message "Er 01", "Er 02", and "Er 04" indicate a problem internal to the control. If this occurs, the control should be replaced. Error messages "Er 03" means the control could not communicate with a steam generator and may be a cable connection problem. If this error occurs, check both ends of the control cable for clean, dry and secure connections. Dirty contacts can be cleaned with alcohol and a cotton swab or a toothbrush. This can also happen if the control is not sealed and the cable connections get wet. Also make sure the generator is not in test mode. Try resetting the breaker. Generator error codes are not covered in this document.



Memoria: Los puntos de ajuste de temperatura para el Usuario 1, el Usuario 2, el tiempo predeterminado y la selección de RapidMist y otras configuraciones se conservan incluso si hay una falla de energía.

Modo de servicio: para ingresar al modo de servicio, mantenga presionado el botón 'Menu' durante 5 segundos, hasta que se ilumine un punto azul en la pantalla. El control está ahora en el modo de servicio. Hay dos características en el modo de servicio. Al presionar la flecha hacia arriba, se muestra la versión del programa; al presionar la flecha hacia abajo, se restaura la configuración predeterminada de fábrica.

Mensajes de error: este control está programado con una función de diagnóstico para ayudar a aislar cualquier problema potencial. Los errores se muestran con "Er" parpadeando seguido por un número de 2 dígitos. El primer dígito es el número del dispositivo. Cero para el control y 1-4 para los generadores. El segundo dígito es el código de error para ese dispositivo. Los mensajes de error "Er 01", "Er 02" y "Er 04" indican un problema interno del control. Si esto ocurre, el control debe ser reemplazado. Los mensajes de error "Er 03" significan que el control no pudo comunicarse con un generador de vapor y puede ser un problema de conexión del cable. Si ocurre este error, verifique que ambos extremos del cable de control tengan conexiones limpias, secas y seguras. Puede limpiar los contactos sucios con alcohol y un bastoncillo de algodón o un cepillo de dientes. Esto también puede suceder si el control no está sellado y las conexiones de los cables se mojan. También asegúrese de que el generador no esté en modo de prueba. Intente restablecer el disyuntor. Los códigos de error del generador no se tratan en este documento.

Mémoire : Les réglages de température pour l'UTILISATEUR 1 et l'UTILISATEUR 2, la durée par défaut, la sélection d' RapidMist et les autres réglages sont conservés même en cas de panne de courant.

Mode entretien : Pour activer le mode d'entretien, appuyez sur le bouton de menu et maintenez-le enfoncé pendant 5 secondes, jusqu'à ce que des points bleus s'affichent. Le mode entretien comprend deux fonctions. Une pression sur la flèche ascendante affiche la version du programme et une pression sur la flèche descendante rétablit les réglages par défaut effectués en usine.

Messages d'erreur : Cet appareil de commande comporte une fonction de diagnostic qui facilite le dépannage. Les erreurs sont indiquées par un code clignotant constitué des lettres « Er » suivies de 2 chiffres. Le premier chiffre identifie le matériel : « 0 » pour l'appareil de commande et « 1-4 » pour les générateurs. Le deuxième chiffre identifie l'erreur associée au matériel. Les codes d'erreur « Er 01 », « Er 02 » et « Er 04 » indiquent une défectuosité de l'appareil de commande. Un code d'erreur de cette nature signifie que l'appareil de commande doit être remplacé. Un code d'erreur « Er 03 » signifie que l'appareil de commande ne peut communiquer avec un générateur de vapeur et qu'une connexion de câble peut être en cause. Si ce code d'erreur s'affiche, assurez-vous que les deux extrémités du câble de l'appareil de commande sont propres, sèches et bien serrées. Des contacts sales peuvent être nettoyés avec de l'alcool et un cure-oreille ou une brosse à dents. Ce code d'erreur peut aussi être causé par un défaut d'étanchéité de l'appareil de commande et des connexions de câble humides. Assurez-vous également que le générateur n'est pas en mode test. Essayez de réenclencher le disjoncteur. Les codes d'erreur pour les générateurs ne sont pas abordés dans ce document.

Limited Warranty on Brizo® Steam Bath and Steam Shower Products
Applicable to products purchased and installed in the USA and Canada

Residential Steam Bath Generators: Brizo Kitchen and Bath Company ("Brizo") warrants to the original consumer purchaser that the parts (except for electronic parts) of its residential steam bath generator purchased from authorized Brizo sellers will be free from defects in materials and workmanship for as long as the original consumer purchaser owns the home in which the steam bath was originally installed. This lifetime limited warranty does not apply to residential steam bath generators that are used in commercial applications (as defined herein).

Residential Electronic Parts, Controls, Spa Options and Accessories: Brizo warrants to the original consumer purchaser that the electronic parts of its steam bath generator and its controls, spa options and accessories purchased from authorized Brizo sellers will be free from defects in materials and workmanship for a period of two (2) years from the date that the product is received by the original consumer purchaser or their authorized representative (installation contractor, etc.). This two-year limited warranty does not apply to controls, spa options, electronic parts and accessories that are used in commercial applications (as defined herein).

Commercial Warranty: For the purposes of this warranty the term "commercial application" refers to installation in any setting in which the product is not being used for personal household use, including, but not limited to, hospitality applications, day spas and short-term and long-term rentals. Brizo warrants that the parts (including electronic parts) of its steam bath generators (including steam bath generators with model numbers beginning with 8GE that are 7.5kW-15kW), equipment, controls, electronic parts, spa options and accessories purchased from authorized Brizo sellers and used in a commercial application will be free from defects in materials and workmanship for a period of one (1) year from the date that the product is received by the original purchaser or their authorized representative (installation contractor, etc.).

What We Will Do: Brizo will, at its option, repair or replace, free of charge, any part that proves defective in material and/or workmanship under normal installation, use and service during the applicable warranty period as stated above. Brizo may elect to refund the purchase price. Replacement parts are subject to availability and may differ from those originally supplied.

For residential applications, two (2) years following the date that the product was received by the original consumer purchaser or their authorized representative (installation contractor, etc.) and with prior approval by Brizo, Brizo will pay for labor for repair/replacement associated with warranty coverage. Thereafter, Brizo will not pay for labor associated with removal/repair/replacement of products covered by this warranty.

For commercial applications, Brizo will, with prior approval by Brizo, pay for labor associated with warranty coverage for ninety (90) days from the date that the product is received by the original purchaser or their authorized representative (installation contractor, etc.). Thereafter, Brizo will not pay for labor associated with removal/repair/replacement of products covered by this warranty. **These are the consumer's exclusive remedies.**

What Is Not Covered: Because Brizo is unable to control the quality of Brizo products sold by unauthorized sellers, unless otherwise prohibited by law, this warranty does not cover Brizo products purchased from unauthorized sellers.

This warranty does not cover damage caused by improper or negligent installation or use. Provided that Brizo is paying the cost of the labor under the terms above, this warranty does not cover repairs attempted by any person other than an authorized Brizo agent and shall be limited to the repair or replacement of defective parts by Brizo or its authorized agent.

This warranty is void if any of the following should occur:

- The use of the product for an unintended application, including a commercial application for all products except those products for which a commercial application is appropriate.
- Failure to follow instructions, including care, cleaning and usage instructions, provided in the product's owner's manual.
- The product's serial number has been altered or removed.
- The product is modified in any manner which Brizo concludes, after its inspection, affects the reliability of the product.
- The product has been improperly repaired by anyone not specifically designated or authorized by Brizo.
- The product is damaged because it is not operated or installed in accordance with supplied instructions.
- The product is installed outdoors.
- The product is installed in a moist and/or humid area with unconditioned air or temperatures that exceed 104 degrees Fahrenheit.
- The product is damaged due to freezing.
- The product is damaged by acts of God.

How to Make a Warranty Claim: To obtain warranty repair or replacement, contact Brizo at: 800-355-6478 or steam-prodserv@brizo.com to receive an RGA# (Return Goods Authorization number) which must be on the carton that is returned via UPS Ground or equivalent. Proof of purchase (original sales receipt showing purchase date) identifying the model and serial number and documentation of the date of receipt of the product by the original purchaser or their authorized representative (installation contractor, etc.) must accompany all warranty claims.

Limitation on Duration of Implied Warranties: Please note that some states/provinces (including Quebec) do not allow limitations on how long an implied warranty lasts, so the below limitations may not apply to you. TO THE MAXIMUM EXTENT PERMITTED BY APPLICABLE LAW, ANY IMPLIED WARRANTY, INCLUDING THE IMPLIED WARRANTIES OF MERCHANTABILITY AND OF FITNESS FOR A PARTICULAR PURPOSE, IS LIMITED TO THE STATUTORY PERIOD OR THE DURATION OF THIS WARRANTY, WHICHEVER IS SHORTER.

Limitation of Special, Incidental or Consequential Damages: Please note that some states/provinces (including Quebec) do not allow the exclusion or limitation of special, incidental or consequential damages, so the below limitations and exclusions may not apply to you. TO THE MAXIMUM EXTENT PERMITTED BY APPLICABLE LAW, THIS WARRANTY DOES NOT COVER, AND BRIZO SHALL NOT BE LIABLE FOR, ANY SPECIAL, INCIDENTAL OR CONSEQUENTIAL DAMAGES WHETHER ARISING OUT OF BREACH OF ANY EXPRESS OR IMPLIED WARRANTY, BREACH OF CONTRACT, TORT, OR OTHERWISE.

Additional Rights: This warranty gives you specific legal rights, and you may also have other rights which vary from state/province to state/province. This is Brizo's exclusive written warranty and the warranty is not transferable.

Garantía limitada de los productos Brizo® Steam Bath y Steam Shower

Aplicable a productos comprados e instalados en EE. UU. y Canadá

Generadores para baños de vapor residenciales: Brizo Kitchen and Bath Company ("Brizo") garantiza al comprador consumidor original que las partes (excepto las partes electrónicas) de su generador de baño de vapor residencial comprado a vendedores autorizados de Brizo estarán libres de defectos en materiales y de fabricación durante el tiempo que el comprador consumidor original es dueño de la casa en la que se instaló originalmente el baño de vapor. Esta garantía limitada de por vida no se aplica a los generadores de baños de vapor residenciales que se utilizan en aplicaciones comerciales (como se define en este documento).

Las partes electrónicas residenciales, controles, opciones de spa y accesorios: Brizo garantiza al comprador consumidor original que las partes electrónicas de su generador de baño de vapor y sus controles, opciones de spa y accesorios comprados a vendedores autorizados de Brizo estarán libres de defectos en materiales y de fabricación durante un período de dos (2) años a partir de la fecha que el producto es recibido por el comprador consumidor original o su representante autorizado (contratista de instalación, etc.). Esta garantía limitada de dos años no se aplica a los controles, las opciones de spa, las piezas electrónicas y los accesorios que se utilizan en aplicaciones comerciales (como se define en este documento).

Garantía Comercial: A los efectos de esta garantía, el término "aplicación comercial" se refiere a la instalación en cualquier entorno en el que el producto no se utilice para uso doméstico personal, incluidas, entre otras, aplicaciones de hospitalidad, spas de día y servicios a corto y largo plazo, alquileres a plazo. Brizo garantiza que las piezas (incluidas las piezas electrónicas) de sus generadores de baños de vapor (incluidos los generadores de baños de vapor con números de modelo que comienzan con 8GE que son de 7,5 kW a 15 kW), equipos, controles, piezas electrónicas, opciones de spa y accesorios comprados a vendedores autorizados de Brizo y utilizado en una aplicación comercial estará libre de defectos de materiales y de fabricación durante un período de un (1) año a partir de la fecha en que el comprador original o su representante autorizado (contratista de instalación, etc.) reciba el producto.

Lo que haremos: Brizo, a su elección, reparará o reemplazará, sin cargo, cualquier pieza que presente defectos de material y/o de fabricación en condiciones normales de instalación, uso y servicio durante el período de garantía aplicable como se indicó anteriormente. Brizo puede optar por reembolsar el precio de compra. Las piezas de repuesto están sujetas a disponibilidad y pueden ser diferentes a las suministradas originalmente.

Para aplicaciones residenciales, dos (2) años a partir de la fecha en que el producto fue recibido por el comprador consumidor original o su representante autorizado (contratista de instalación, etc.), y con la aprobación previa de Brizo, Brizo pagará la mano de obra para la reparación/reemplazo asociada con la cobertura de la garantía. A partir de entonces, Brizo no pagará la mano de obra asociada con la extracción/reparación/reemplazo de los productos cubiertos por esta garantía.

Para aplicaciones comerciales, Brizo, con la aprobación previa de Brizo, pagará la mano de obra asociada con la cobertura de la garantía durante noventa (90) días a partir de la fecha en que el comprador original o su representante autorizado (contratista de instalación, etc.) reciba el producto. A partir de entonces, Brizo no pagará la mano de obra asociada con la extracción/reparación/reemplazo de los productos cubiertos por esta garantía. **Estos son los remedios exclusivos del consumidor.**

Lo que no está cubierto: Debido a que Brizo no puede controlar la calidad de los productos Brizo vendidos por vendedores no autorizados, a menos que la ley lo prohíba, esta garantía no cubre los productos Brizo comprados a vendedores no autorizados.

Esta garantía no cubre los daños causados por una instalación o uso inadecuado o negligente. Siempre que Brizo pague el costo de la mano de obra según los términos anteriores, esta garantía no cubre las reparaciones intentadas por cualquier persona que no sea un agente autorizado de Brizo y se limitará a la reparación o reemplazo de piezas defectuosas por parte de Brizo o su agente autorizado.

Esta garantía queda anulada si ocurre cualquiera de lo siguiente:

- El uso del producto para una aplicación no prevista, incluida una aplicación comercial para todos los productos, excepto aquellos productos para los que es adecuada una aplicación comercial.
- No seguir las instrucciones, incluidas las instrucciones de cuidado, limpieza y uso, proporcionadas en el manual del propietario del producto.
- El número de serie del producto ha sido alterado o eliminado.
- El producto se modifica de cualquier manera que Brizo concluya, después de su inspección, que afecta la confiabilidad del producto.
- El producto ha sido reparado incorrectamente por alguien que no ha sido específicamente designado o autorizado por Brizo.
- El producto está dañado porque no se operó o instaló de acuerdo con las instrucciones proporcionadas.
- El producto está instalado al aire libre.
- El producto está instalado en un área húmeda y/o húmeda con aire no acondicionado o temperaturas que exceden los 104 grados Fahrenheit.
- El producto está dañado debido a la congelación.
- El producto está dañado por fuerza mayor.

Cómo hacer un reclamo de garantía: Para obtener reparación o reemplazo en garantía, comuníquese con Brizo al: 800-355-6478 o steam-prodserv@brizo.com para recibir un RGA# (Número de autorización de devolución de mercancías) que debe estar en la caja que se devuelve a través de UPS Ground o el equivalente. El comprobante de compra (recibo de compra original que muestre la fecha de compra) que identifique el modelo y el número de serie y la documentación de la fecha de recepción del producto por parte del comprador original o su representante autorizado (contratista de instalación, etc.) debe acompañar todos los reclamos de garantía.

Limitación de la duración de las garantías implícitas: Tenga en cuenta que algunos estados/provincias (incluido Quebec) no permiten limitaciones sobre la duración de una garantía implícita, por lo que es posible que las siguientes limitaciones no se apliquen en su caso. EN LA MEDIDA MÁXIMA PERMITIDA POR LA LEY APLICABLE, CUALQUIER GARANTÍA IMPLÍCITA, INCLUIDAS LAS GARANTÍAS IMPLÍCITAS DE COMERCIABILIDAD E IDONEIDAD PARA UN FIN DETERMINADO, SE LIMITA AL PERÍODO LEGAL O A LA DURACIÓN DE ESTA GARANTÍA, EL QUE SEA MÁS BREVE.

Limitación de daños especiales, incidentales o consecuentes: Tenga en cuenta que algunos estados/provincias (incluido Quebec) no permiten la exclusión o limitación de daños especiales, incidentales o consecuentes, por lo que es posible que las siguientes limitaciones y exclusiones no se apliquen en su caso. EN LA MEDIDA MÁXIMA PERMITIDA POR LA LEY APLICABLE, ESTA GARANTÍA NO CUBRE, Y BRIZO NO SERÁ RESPONSABLE DE, NINGÚN DAÑO ESPECIAL, INCIDENTAL O CONSECUENTE QUE SURJA DEL INCUMPLIMIENTO DE CUALQUIER GARANTÍA EXPLÍCITA O IMPLÍCITA, INCUMPLIMIENTO DE CONTRATO, AGRAVIO O DE OTRA MANERA.

Derechos adicionales: Esta garantía le otorga derechos legales específicos, y es posible que también tenga otros derechos que varían de un estado/provincia a otro estado/provincia. Esta es la garantía escrita exclusiva de Brizo y la garantía no es transferible.

Garantie limitée des douches à vapeur et des bains de vapeur Brizo®

Applicable aux produits achetés et installés aux États-Unis et au Canada

Générateurs pour bain de vapeur résidentiel: Brizo Kitchen and Bath Company (« Brizo ») garantit à l'acheteur au détail initial que les pièces (sauf les pièces électroniques) de ce générateur pour bain de vapeur résidentiel achetées de vendeurs Brizo autorisés sont exemptes de matériaux défectueux et de vices de fabrication. Cette garantie est valide aussi longtemps que l'acheteur au détail initial possède la maison dans laquelle le bain de vapeur a été installé. Cette garantie à vie limitée ne s'applique pas aux générateurs pour bain de vapeur résidentiel qui sont utilisés dans des applications commerciales (définies dans le présent document).

Pièces électroniques, commandes, options de spa et accessoires résidentiels: Brizo garantit à l'acheteur au détail initial que les pièces électroniques de son générateur pour bain de vapeur ainsi que les commandes, les options de spa et les accessoires achetés de vendeurs Brizo autorisés seront exempts de matériaux défectueux et de vices de fabrication pendant une période de deux (2) ans calculée à compter de la date de réception du produit par l'acheteur au détail initial ou son représentant autorisé (entrepreneur chargé de l'installation, etc.). La garantie limitée de deux (2) ans ne s'applique pas aux commandes, aux options de spa, aux pièces électroniques et aux accessoires utilisés dans des applications commerciales (définies dans le présent document).

Garantie commerciale: Dans le libellé de la présente garantie, « applications commerciales » désigne toute installation dans des lieux où le produit n'est pas utilisé par un ménage, y compris, sans s'y limiter, les lieux d'accueil, les spas de jour ainsi que les lieux d'hébergement loués à court et à long termes.

Brizo garantit que les pièces (y compris les pièces électroniques) de ses générateurs pour bain de vapeur (y compris les générateurs pour bain de vapeur de 7,5 kW à 15 kW dont le numéro de modèle débute par 8GE), l'équipement, les commandes, les pièces électroniques, les options de spa et les accessoires achetés de vendeurs Brizo autorisés et utilisés dans des applications commerciales seront exempts de matériaux défectueux et de vices de fabrication pendant une période d'un (1) an calculée à compter de la date de réception du produit par l'acheteur initial ou son représentant autorisé (entrepreneur chargé de l'installation, etc.).

Ce que nous ferons: À sa discrétion, Brizo réparera ou remplacera, sans frais, toute pièce ayant été installée, utilisée et entretenue normalement qui comportera un matériau défectueux et/ou présentera un vice de fabrication pendant la période de garantie susmentionnée. Brizo pourra décider de rembourser le prix d'achat. Les pièces de rechange seront fournies sous réserve de leur disponibilité et elles pourront être différentes de celles fournies initialement.

Dans le cas des applications résidentielles, au cours de la période de deux (2) ans qui suivra la date de réception du produit par l'acheteur au détail initial ou son représentant autorisé (entrepreneur chargé de l'installation, etc.) et sous réserve de l'approbation au préalable de Brizo, Brizo paiera la main-d'œuvre pour la réparation ou le remplacement des produits aux termes de la garantie. Par la suite, Brizo ne paiera pas la main-d'œuvre nécessaire pour la dépose et la réparation ou le remplacement des produits couverts par la présente garantie.

Dans le cas des applications commerciales, Brizo paiera, sous réserve de l'approbation au préalable de Brizo, la main-d'œuvre associée à la couverture de la garantie pendant une période de quatre-vingt-dix (90) jours calculée à compter de la date de réception du produit par l'acheteur initial ou son représentant autorisé (entrepreneur chargé de l'installation, etc.). Par la suite, Brizo ne paiera pas la main-d'œuvre nécessaire pour la dépose et la réparation ou le remplacement des produits couverts par la présente garantie. **Il s'agit des seuls recours du consommateur.**

Ce qui n'est pas couvert: Étant donné que Brizo est incapable de contrôler la qualité des produits vendus par des vendeurs non autorisés, la présente garantie ne couvre pas les produits Brizo vendus par des vendeurs non autorisés, à moins qu'une telle restriction soit interdite par la loi.

La présente garantie ne couvre pas les dommages causés par une installation ou une utilisation inappropriée ou négligente. Étant donné que Brizo paie le coût de la main-d'œuvre selon les modalités susmentionnées, la présente garantie ne couvre pas les réparations effectuées par une personne autre qu'un agent autorisé Brizo et elle se limite à la réparation ou au remplacement des pièces défectueuses par Brizo ou son agent autorisé.

La présente garantie ne s'applique pas dans l'une ou l'autre des circonstances suivantes :

- L'utilisation du produit pour une application à laquelle il n'est pas destiné, y compris une application commerciale, sauf s'il s'agit d'un produit qui est adapté à cette application.
- L'omission de respecter les instructions, notamment les instructions d'entretien, de nettoyage et d'utilisation, contenues dans le manuel du propriétaire du produit.
- Le numéro de série du produit a été altéré ou effacé.
- Le produit a été modifié d'une manière quelconque qui, de l'avis de Brizo, après inspection du produit, compromet la fiabilité de celui-ci.
- Le produit a été réparé incorrectement par une personne quelconque qui n'est pas désignée ou autorisée expressément par Brizo.
- Le produit est endommagé parce qu'il n'a pas été installé conformément aux instructions fournies.
- Le produit est installé à l'extérieur.
- Le produit est installé dans un environnement humide et l'air n'est pas climatisé ou la température excède 40 degrés Celsius (104 degrés Fahrenheit).
- Le produit a été endommagé par le gel.
- Le produit a été endommagé en raison d'un acte fortuit.

Comment faire une réclamation aux termes de la garantie: Pour faire réparer ou remplacer le produit aux termes de la garantie, communiquez avec Brizo au 800-355-6478 ou à steam-proserv@brizo.com afin d'obtenir un numéro d'autorisation de retour qui devra se trouver dans l'emballage retourné par l'intermédiaire de UPS Ground ou l'équivalent. La preuve d'achat (original du reçu montrant la date d'achat) indiquant le modèle et le numéro de série ainsi que la documentation indiquant la date de réception par l'acheteur initial ou son représentant autorisé (entrepreneur chargé de l'installation, etc.) doivent accompagner toutes les réclamations aux termes de la garantie.

Limitation de la durée des garanties implicites: Veuillez noter qu'il est interdit dans certains États et certaines provinces (y compris le Québec) de limiter la durée d'une garantie implicite. Par conséquent, les limites mentionnées ci-dessous peuvent ne pas s'appliquer à vous. **DANS LA MESURE DE CE QUI EST PERMIS PAR LA LOI APPLICABLE, TOUTES LES GARANTIES IMPLICITES, Y COMPRIS LE GARANTIES IMPLICITES DE QUALITÉ MARCHANDE ET D'ADÉQUATION À UN USAGE PARTICULIER, SE LIMITENT À LA PÉRIODE FIXÉE PAR LA LOI OU À LA DURÉE DE LA PRÉSENTE GARANTIE, LA PLUS COURTE DES DEUX PÉRIODES S'APPLIQUANT.**

Limitation des dommages particuliers, consécutifs ou indirects: Veuillez noter qu'il est interdit dans certains États et certaines provinces (y compris le Québec) d'exclure ou de limiter les dommages particuliers, consécutifs ou indirects. Par conséquent, les exclusions et les limites mentionnées ci-dessous peuvent ne pas s'appliquer à vous. **DANS LA MESURE DE CE QUI EST PERMIS PAR LE DROIT APPLICABLE, BRIZO SE DÉGAGE DE TOUTE RESPONSABILITÉ À L'ÉGARD DES DOMMAGES PARTICULIERS, CONSÉCUTIFS OU INDIRECTS, PEU IMPORTE QU'ILS DÉCOULENT D'UNE RUPTURE D'UNE GARANTIE IMPLICITE OU EXPLICITE, D'UNE RUPTURE DE CONTRAT, D'UN DÉLIT CIVIL OU D'UNE AUTRE CAUSE, ET CES DOMMAGES NE SONT PAS COUVERTS PAR LA GARANTIE.**

Droits supplémentaires: La présente garantie vous procure des droits particuliers reconnus par la loi. Vous pouvez aussi avoir d'autres droits qui varient selon l'État ou la province. La présente garantie écrite est la seule garantie offerte par Brizo et elle n'est pas transférable.